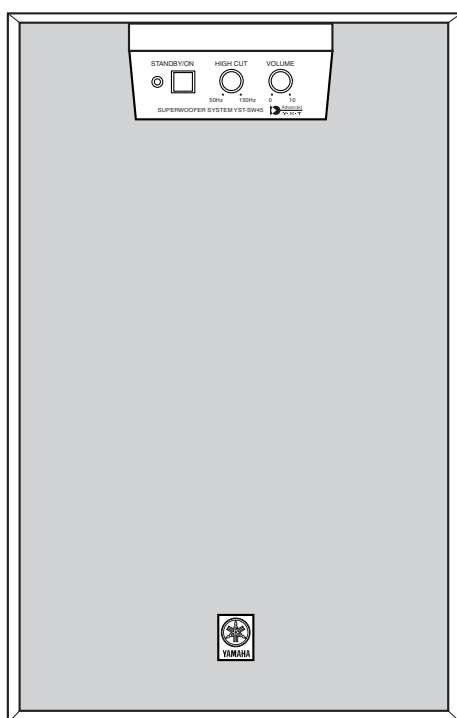


# POWERED SUBWOOFER SYSTEM

# YST-SW45

## SERVICE MANUAL



### IMPORTANT NOTICE

This manual has been provided for the use of authorized YAMAHA Retailers and their service personnel.

It has been assumed that basic service procedures inherent to the industry, and more specifically YAMAHA Products, are already known and understood by the users, and have therefore not been restated.

**WARNING:** Failure to follow appropriate service and safety procedures when servicing this product may result in personal injury, destruction of expensive components, and failure of the product to perform as specified. For these reasons, we advise all YAMAHA product owners that any service required should be performed by an authorized YAMAHA Retailer or the appointed service representative.

**IMPORTANT:** The presentation or sale of this manual to any individual or firm does not constitute authorization, certification or recognition of any applicable technical capabilities, or establish a principle-agent relationship of any form.

The data provided is believed to be accurate and applicable to the unit(s) indicated on the cover. The research, engineering, and service departments of YAMAHA are continually striving to improve YAMAHA products. Modifications are, therefore, inevitable and specifications are subject to change without notice or obligation to retrofit. Should any discrepancy appear to exist, please contact the distributor's Service Division.

**WARNING:** Static discharges can destroy expensive components. Discharge any static electricity your body may have accumulated by grounding yourself to the ground buss in the unit (heavy gauge black wires connect to this buss).

**IMPORTANT:** Turn the unit OFF during disassembly and part replacement. Recheck all work before you apply power to the unit.

## CONTENTS

TO SERVICE PERSONNEL .....	1
SPECIFICATIONS .....	1
DIMENSIONS .....	1
INTERNAL VIEW .....	2
REAR PANELS .....	2
DISASSEMBLY PROCEDURES .....	3

BLOCK DIAGRAM .....	4
IC BLOCK .....	4
PRINTED CIRCUIT BOARD .....	5~7
SCHEMATIC DIAGRAM .....	8
PARTS LIST .....	9~15



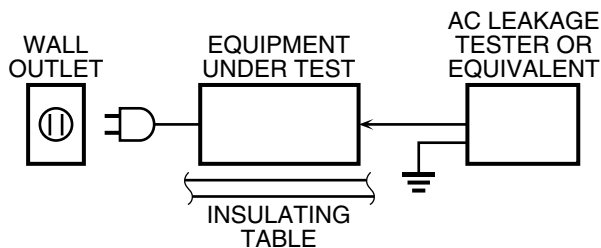
このサービスマニュアルは、エコマーク認定の再生紙を使用しています。  
This Service Manual uses recycled paper.



## TO SERVICE PERSONNEL

Critical Components Information.

Components having special characteristics are marked and must be replaced with parts having specifications equal to those originally installed.



## WARNING: CHEMICAL CONTENT NOTICE!

The solder used in the production of this product contains LEAD. In addition, other electrical/electronic and /or plastic (where applicable) components may also contain traces of chemicals found by the California Health and Welfare Agency (and possibly other entities) to cause cancer and/or birth defects or other reproductive harm.

DO NOT PLACE SOLDER, ELECTRICAL/ELECTRONIC OR PLASTIC COMPONENTS IN YOUR MOUTH FOR ANY REASON WHATSOEVER!

Avoid prolonged, unprotected contact between solder and your skin! When soldering, do not inhale solder fumes or expose eyes to solder/flux vapor!

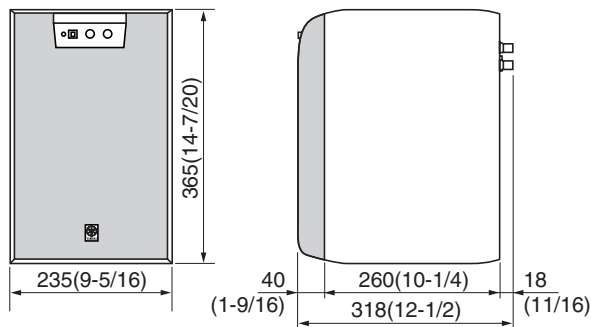
If you come in contact with solder or components located inside the enclosure of this product, wash your hands before handling food.

## SPECIFICATIONS

- Type** ..... Active Servo Processing Subwoofer System
- Speaker Unit** ..... 20 cm (8") cone woofer (JA2162)  
magnetic shielding type x 1
- Amplifier Output** ..... 70 W/5 ohms
- High-Cut Filter** ..... 50 Hz–150Hz (-24 dB/oct.)
- Frequency Response** ..... 30 Hz–200Hz (-10 dB)
- Power Supply**
  - U.S.A. and Canada models** ..... AC120V, 60Hz
  - Australia model** ..... AC240V, 50Hz
  - U.K. and Europe models** ..... AC230V, 50Hz
  - General and China models**  
..... AC110/120/220/240V, 50/60Hz  
(Adjustable with Voltage Selector)
- Power Consumption** ..... 55 W
- Dimensions (W x H x D)** ..... 235 x 365 x 318 mm  
..... (9-5/16" x 14-7/20" x 12-1/2")
- Weight** ..... 9 kg (19 lbs. 13 oz.)
- Supplied Accessory** ..... Rubber Pads

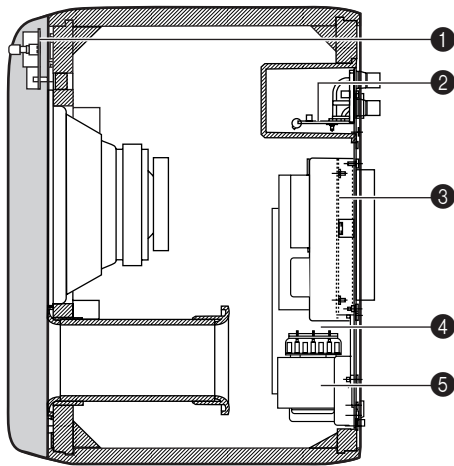
## DIMENSIONS

Unit: mm (inch)



\* Specifications subject to change without notice.

# INTERNAL VIEW

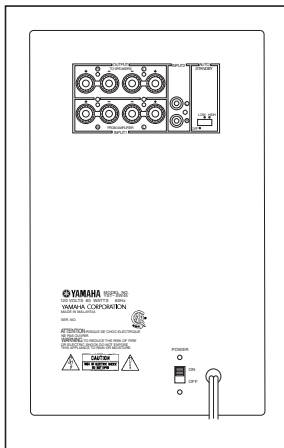


- ① MAIN P.C.B. (4)
- ② MAIN P.C.B. (3)
- ③ MAIN P.C.B. (1)
- ④ MAIN P.C.B. (2)
- ⑤ Power Transformer

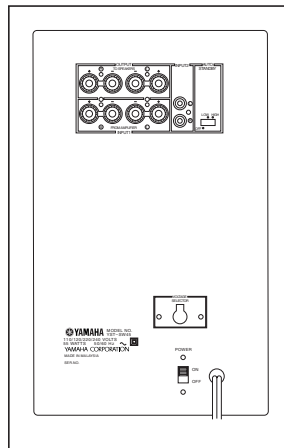
Right side internal view

# REAR PANELS

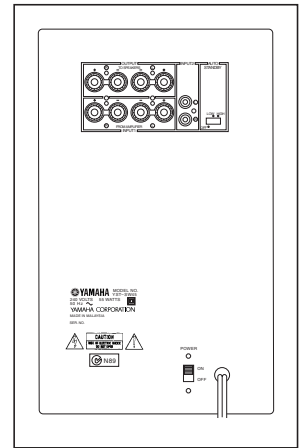
U, C models



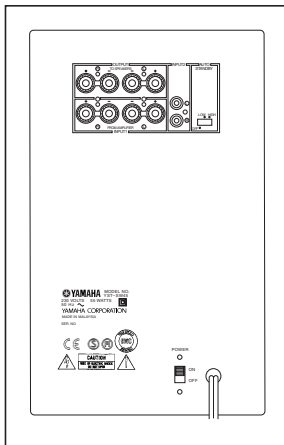
R model



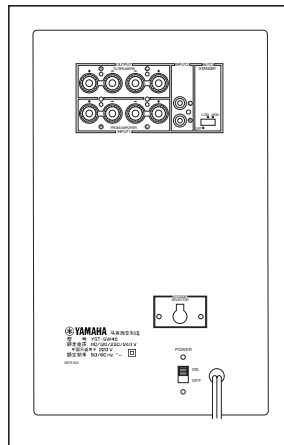
A model



B model



T model



## DISASSEMBLY PROCEDURES

(Remove parts in the order as numbered.)

### 1. Removal of Front Grille

The front grille is fixed to the cabinet with dowels at 4 locations.

As a screwdriver (for slotted head screw) is used for removal, use special care not to cause damage to the cabinet.

- a. Apply the block to the rear panel so as to avoid damage to the Terminal of the rear panel.
- b. Use the screwdriver inserted in the gap between the front grille and the cabinet (bottom side first), push up the front grille. (Fig. 1)
- c. Remove the front grille by lifting it up. (Fig. 1)

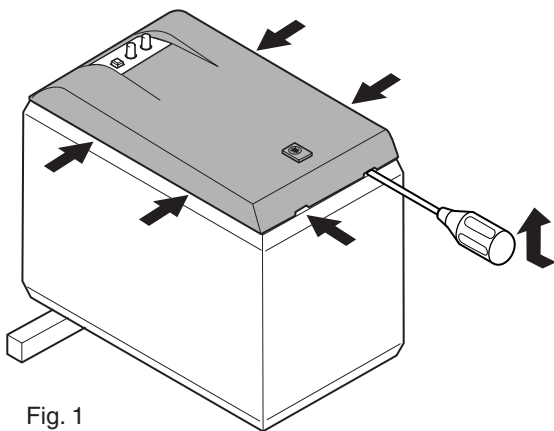


Fig. 1

### 2. Remove of Speaker

- a. Remove 4 screws (①) in Fig. 2, and remove the speaker.
- b. Remove the cable cord.

### 3. Removal of the Rear Panel

- a. Remove 10 screws (②) in Fig. 2, and remove the rear panel.
- \* When removing the rear panel, replacing the packing.

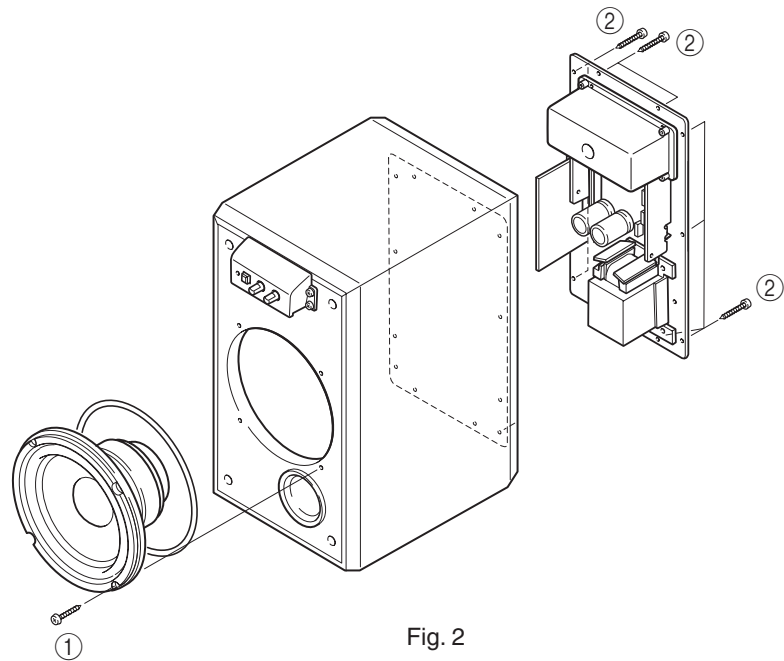
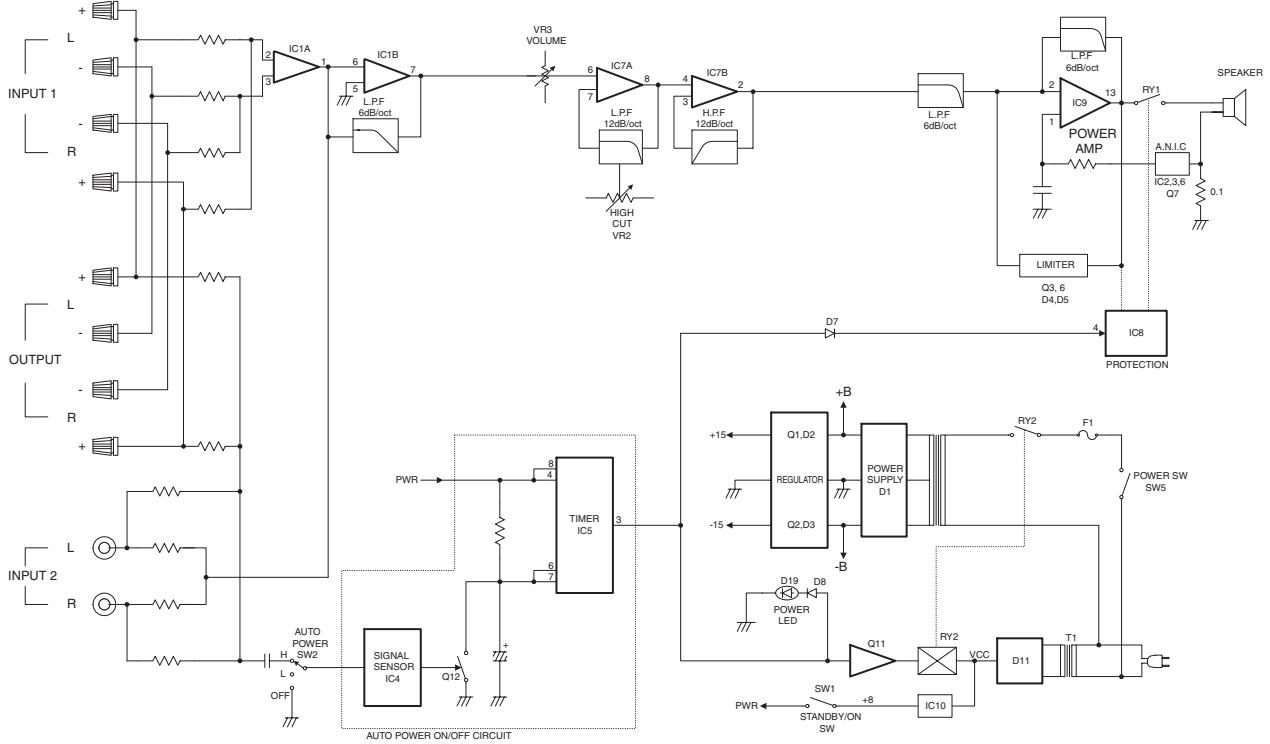


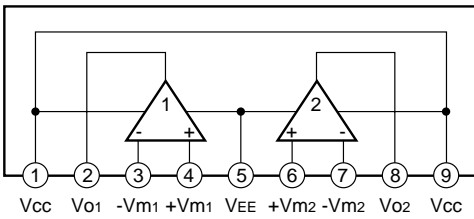
Fig. 2

# BLOCK DIAGRAM

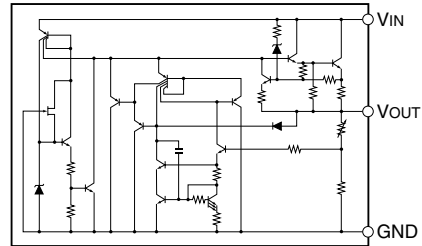


## IC BLOCK DIAGRAM

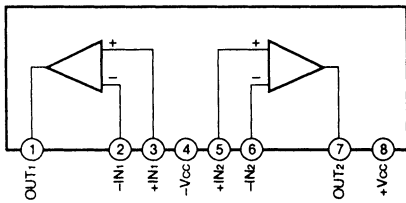
**μPC4570HA (OP Amp.)**



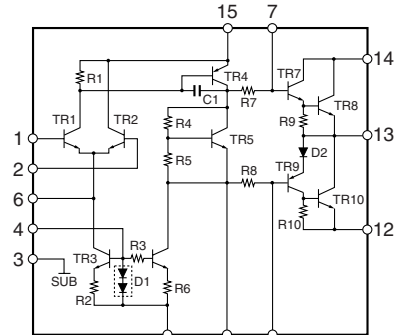
**NJM78L08A (Voltage Regulator)**



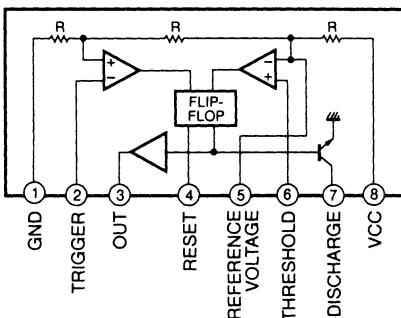
**NJM4558L (OP Amp.)**



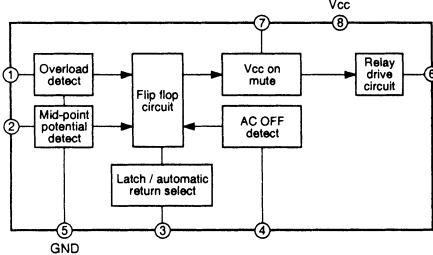
**STK4036-2 (Amp.)**



**M51848L (CR Timer)**

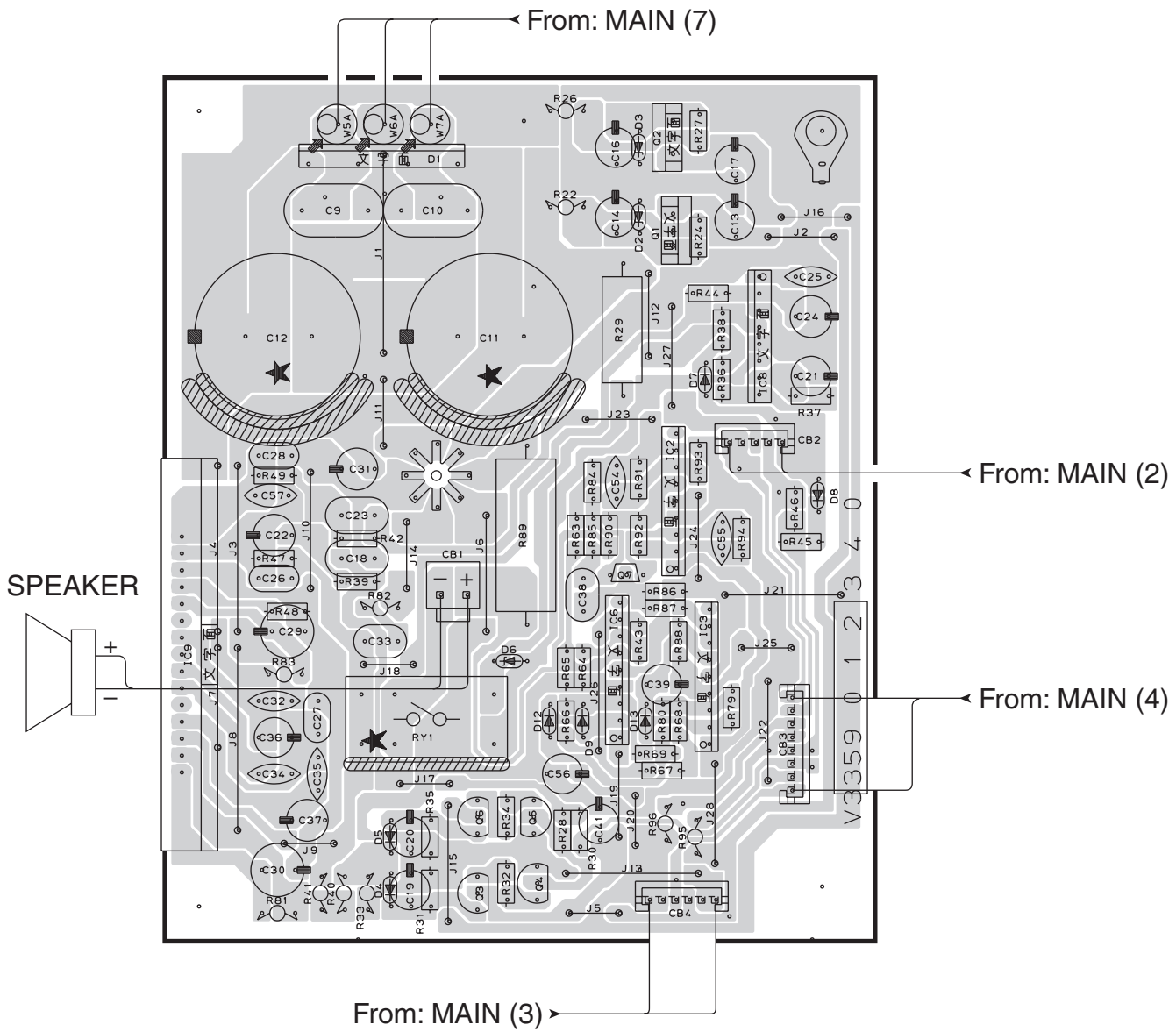


**PC1237HA (Protect IC)**



PRINTED CIRCUIT BOARD (Foil side)

MAIN P.C.B. (1)



1

# PRINTED CIRCUIT BOARD (Foil side)

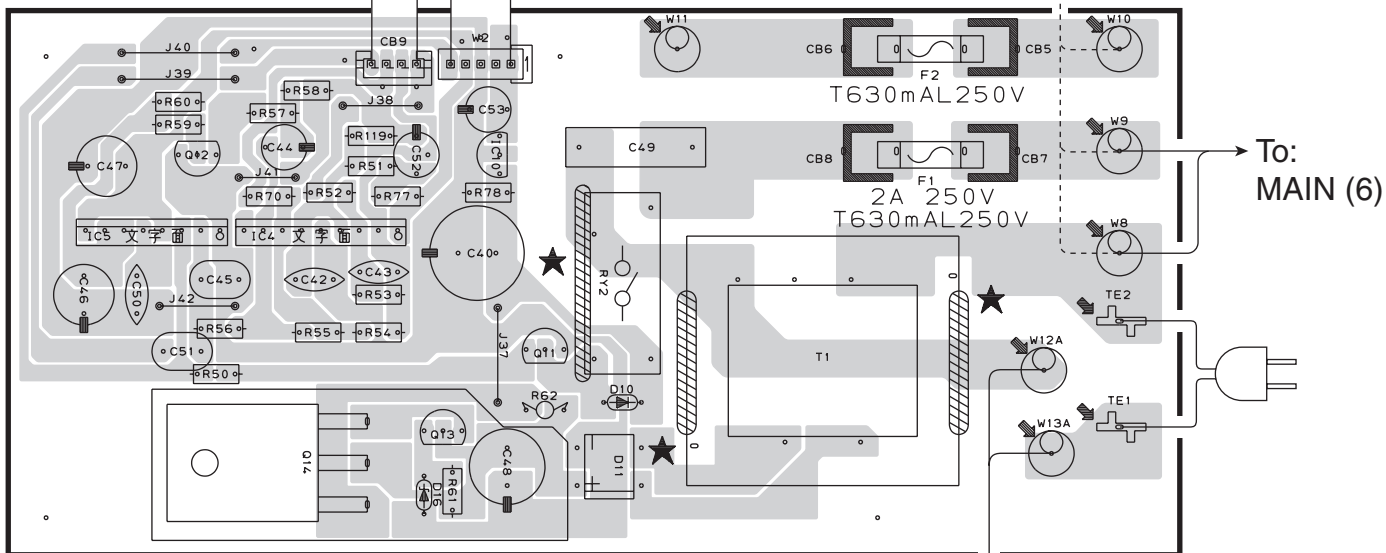
**MAIN P.C.B. (2)**

To: MAIN (3)

To: MAIN (1)

To: VOLTAGE  
SELECTOR  
(GENERAL model)

2



3

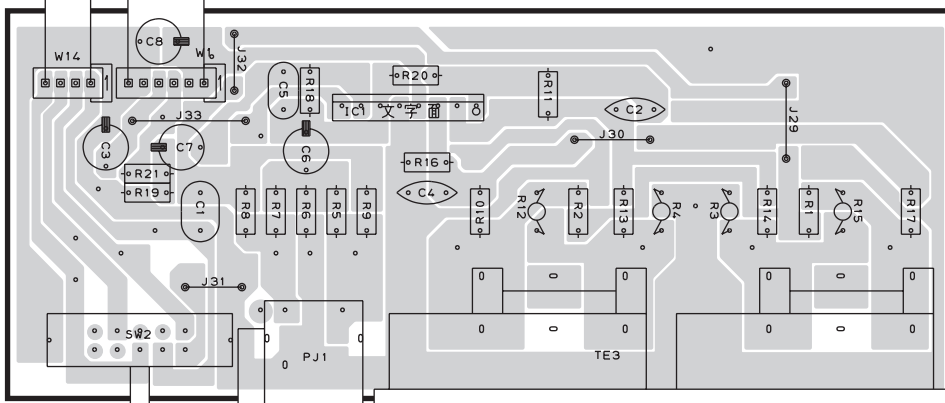
4

**MAIN P.C.B. (3)**

From: MAIN (2)

To: MAIN (1)

5



6

AUTO  
STANDBY

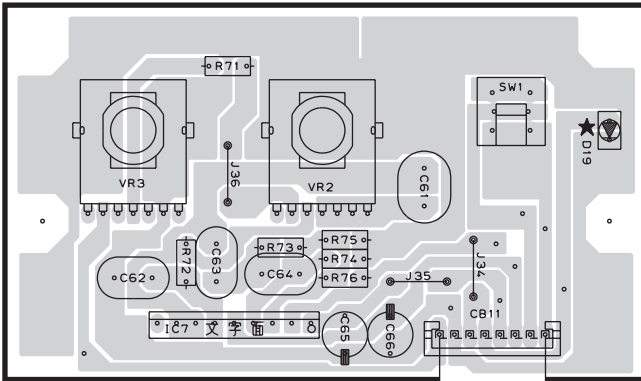
INPUT2

OUTPUT / INPUT

7

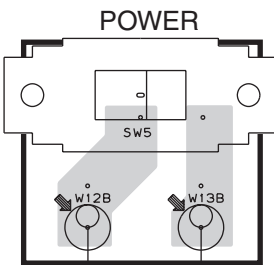
# PRINTED CIRCUIT BOARD (Foil side)

**MAIN P.C.B. (4)**



To: MAIN (1)

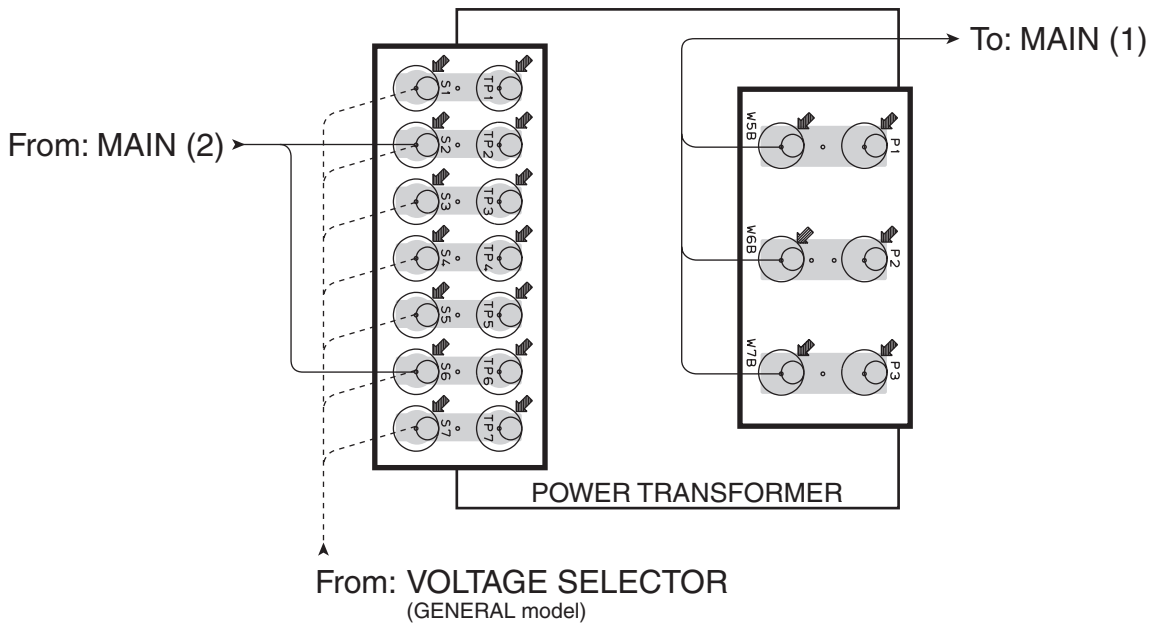
**MAIN P.C.B. (5)**



To: MAIN (2)

**MAIN P.C.B. (6)**

**MAIN P.C.B. (7)**





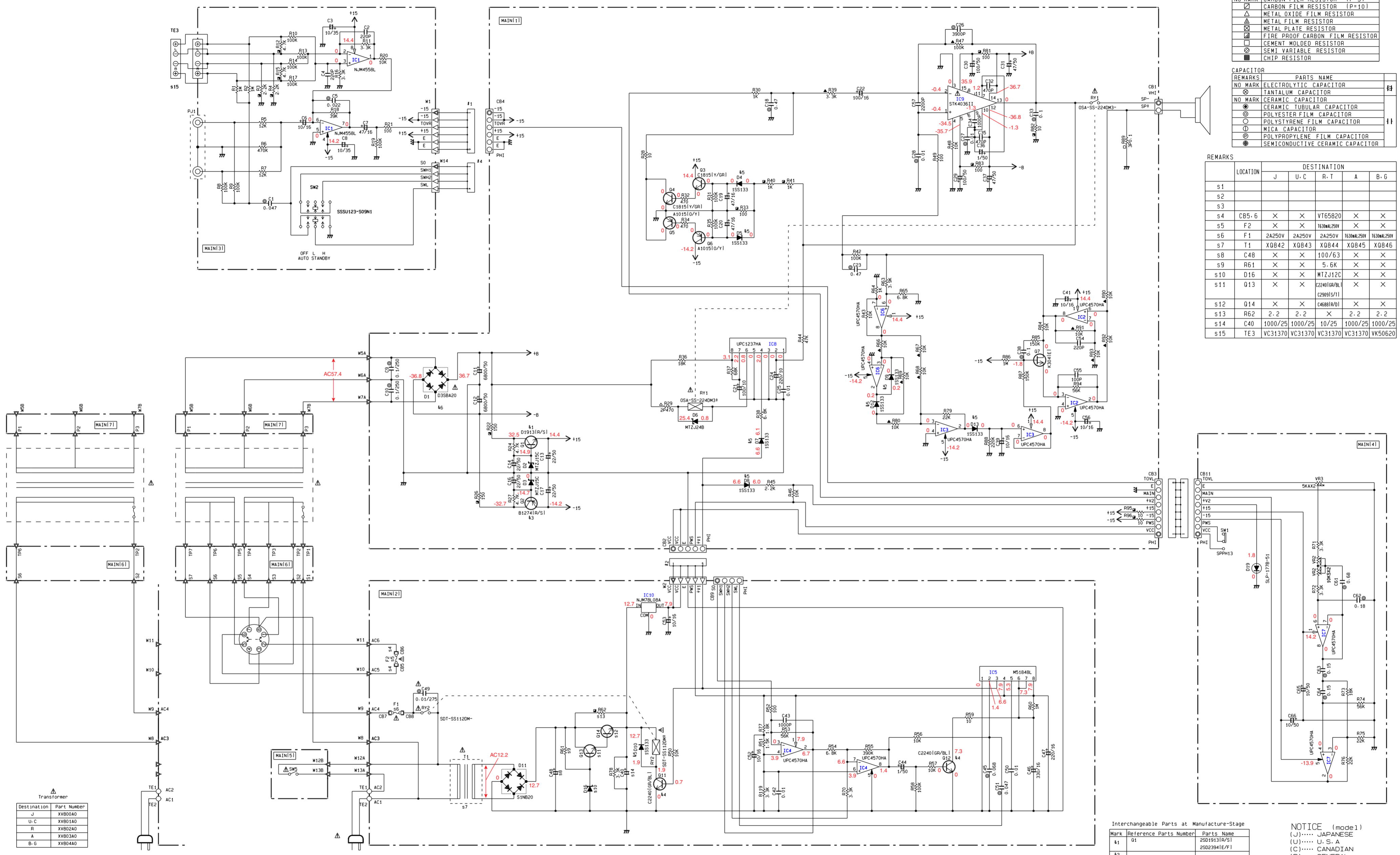
SCHEMATIC DIAGRAM

RESISTOR	
REMARKS	PARTS NAME
NO MARK	CARBON FILM RESISTOR (P=5)
□	CARBON FILM RESISTOR (P=10)
△	METAL OXIDE FILM RESISTOR
▲	METAL FILM RESISTOR
■	METAL PLATE RESISTOR
⊠	FIRE PROOF CARBON FILM RESISTOR
□	CEMENT MOLDED RESISTOR
⊗	SEMI VARIABLE RESISTOR
■	CHIP RESISTOR

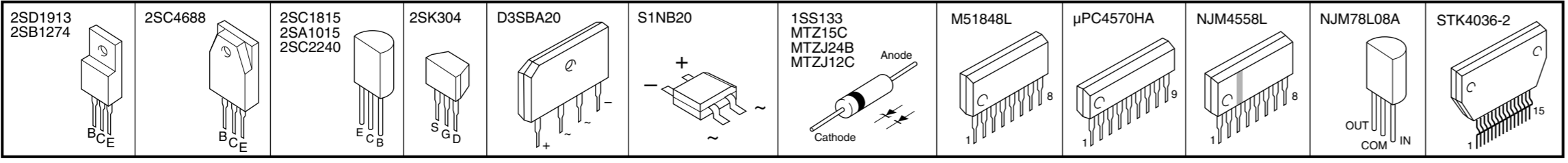
  

CAPACITOR	
REMARKS	PARTS NAME
NO MARK	ELECTROLYTIC CAPACITOR
⊗	TANTALUM CAPACITOR
NO MARK	CERAMIC CAPACITOR
○	CERAMIC TUBULAR CAPACITOR
⊙	POLYESTER FILM CAPACITOR
○	POLYSTYRENE FILM CAPACITOR
○	MICA CAPACITOR
⊙	POLYPROPYLENE FILM CAPACITOR
⊙	SEMICONDUCTIVE CERAMIC CAPACITOR

REMARKS	LOCATION	DESTINATION				
		J	U-C	R-T	A	B-G
S1						
S2						
S3						
S4	CB5-6	X	X	V165820	X	X
S5	F2	X	X	1630M125W	X	X
S6	F1	2A250V	2A250V	2A250V	1630M125W	1630M125W
S7	T1	XQB42	XQB43	XQB44	XQB45	XQB46
S8	C48	X	X	100/63	X	X
S9	R61	X	X	5.6K	X	X
S10	D16	X	X	MTZJ12C	X	X
S11	Q13	X	X	C22401GR/BL	X	X
S12	Q14	X	X	C46881R/D1	X	X
S13	R62	2-2	2-2	X	2-2	2-2
S14	C40	1000/25	1000/25	10/25	1000/25	1000/25
S15	TE3	VC31370	VC31370	VC31370	VC31370	VK50620



PIN CONNECTION DIAGRAM OF TRANSISTORS, DIODES AND ICs.



All v oltag e are measured with a 10M Ω DC electric voltmeter. Components having special characteristics are marked with a ! and must be replaced with parts having specifications equal to those originally installed. Schematic diagram is subject to change without notice.

Interchangeable Parts at Manufacture-Stage

Mark	Reference Parts Number	Parts Name
k1	Q1	2SD1913R/S1
k2		2SD2394E/F1
k3	Q2	2SB1274R/S1
k4	Q11-12	2SB1565E/F1
k5		2SC22401GR/BL1
k6	D4-5-7-10-12-13	2SC2909S/T1
		1SS133
		HSS104TD
		D3SBA20
		RBV-402

NOTICE (mode1)  
 (J)..... JAPANESE  
 (U)..... U. S. A  
 (C)..... CANADIAN  
 (R)..... GENERAL  
 (A)..... AUSTRALIAN  
 (B)..... BRITISH  
 (G)..... EUROPEAN  
 (T)..... CHINA  
 (L)..... SINGAPORE

# PARTS LIST

## ELECTRICAL PARTS

### WARNING

Components having special characteristics are marked  $\Delta$  and must be replaced with parts having specifications equal to those originally installed.

Carbon resistors (1/6W or 1/4W) are not included in the ELECTRICAL PARTS List. For the parts No. of the carbon resistors, refer to last page.

### ABBREVIATIONS IN THIS LIST ARE AS FOLLOWS:

C.A.EL.CHP	: CHIP ALUMI.ELECTROLYTIC CAP	L.EMIT	: LIGHT EMITTING MODULE
C.CE	: CERAMIC CAP	LED.DSPLY	: LED DISPLAY
C.CE.ARRAY	: CERAMIC CAP ARRAY	LED.INFRD	: LED,INFRARED
C.CE.CHP	: CHIP CERAMIC CAP	MODUL.RF	: MODULATOR,RF
C.CE.ML	: MULTILAYER CERAMIC CAP	PHOT.CPL	: PHOTO COUPLER
C.CE.M.CHP	: CHIP MULTILAYER CERAMIC CAP	PHOT.INTR	: PHOTO INTERRUPTER
C.CE.SAFTY	: RECOGNIZED CERAMIC CAP	PHOT.RFLCT	: PHOTO REFLECTOR
C.CE.TUBLR	: CERAMIC TUBULAR CAP	PIN.TEST	: PIN,TEST POINT
C.CE.SMI	: SEMI CONDUCTIVE CERAMIC CAP	PLST.RIVET	: PLASTIC RIVET
C.EL	: ELECTROLYTIC CAP	R.ARRAY	: RESISTOR ARRAY
C.MICA	: MICA CAP	R.CAR.	: CARBON RESISTOR
C.ML.FLM	: MULTILAYER FILM CAP	R.CAR.CHP	: CHIPRESISTOR
C.MP	: METALLIZED PAPER CAP	R.CAR.FP	: FLAME PROOF CARBON RESISTOR
C.MYLAR	: MYLAR FILM CAP	R.FUS	: FUSABLE RESISTOR
C.MYLAR.ML	: MULTILAYER MYLAR FILM CAP	R.MTL.CHP	: CHIP METAL FILM RESISTOR
C.PAPER	: PAPER CAPACITOR	R.MTL.FLM	: METAL FILM RESISTOR
C.PLS	: POLYSTYRENE FILM CAP	R.MTL.OXD	: METAL OXIDE FILM RESISTOR
C.POL	: POLYESTER FILM CAP	R.MTL.PLAT	: METAL PLATE RESISTOR
C.POLY	: POLYETHYLENE FILM CAP	RSNR.CE	: CERAMIC RESONATOR
C.PP	: POLYPROPYLENE FILM CAP	RSNR.CRYS	: CRYSTAL RESONATOR
C.TNTL	: TANTALUM CAP	R.TW.CEM	: TWIN CEMENT FIXED RESISTOR
C.TNTL.CHP	: CHIP TANTALUM CAP	R.WW	: WIRE WOUND RESISTOR
C.TRIM	: TRIMMER CAP	SCR.BND.HD	: BIND HEAD B-TITE SCREW
CN	: CONNECTOR	SCR.BW.HD	: BW HEAD TAPPING SCREW
CN.BS.PIN	: CONNECTOR,BASE PIN	SCR.CUP	: CUP TITE SCREW
CN.CANNON	: CONNECTOR,CANNON	SCR.TERM	: SCREW TERMINAL
CN.DIN	: CONNECTOR,DIN	SCR.TR	: SCREW,TRANSISTOR
CN.FLAT	: CONNECTOR,FLAT CABLE	SUPRT.PCB	: SUPPORT,P.C.B.
CN.POST	: CONNECTOR,BASE POST	SURG.PRTCT	: SURGE PROTECTOR
COIL.MX.AM	: COIL,AM MIX	SW.TACT	: TACT SWITCH
COIL.AT.FM	: COIL,FM ANTENNA	SW.LEAF	: LEAF SWITCH
COIL.DT.FM	: COIL,FM DETECT	SW.LEVER	: LEVER SWITCH
COIL.MX.FM	: COIL,FM MIX	SW.MICRO	: MICRO SWITCH
COIL.OUTPT	: OUTPUT COIL	SW.PUSH	: PUSH SWITCH
DIOD.ARRAY	: DIODE ARRAY	SW.RT.ENC	: ROTARY ENCODER
DIODE.BRG	: DIODE BRIDGE	SW.RT.MTR	: ROTARY SWITCH WITH MOTOR
DIODE.CHP	: CHIP DIODE	SW.RT	: ROTARY SWITCH
DIODE.VAR	: VARACTOR DIODE	SW.SLIDE	: SLIDE SWITCH
DIOD.Z.CHP	: CHIP ZENER DIODE	TERM.SP	: SPEAKER TERMINAL
DIODE.ZENR	: ZENER DIODE	TERM.WRAP	: WRAPPING TERMINAL
DSCR.CE	: CERAMIC DISCRIMINATOR	THRMST.CHP	: CHIP THERMISTOR
FER.BEAD	: FERRITE BEADS	TR.CHP	: CHIP TRANSISTOR
FER.CORE	: FERRITE CORE	TR.DGT	: DIGITAL TRANSISTOR
FET.CHP	: CHIP FET	TR.DGT.CHP	: CHIP DIGITAL TRANSISTOR
FL.DSPLY	: FLUORESCENT DISPLAY	TRANS	: TRANSFORMER
FLTR.CE	: CERAMIC FILTER	TRANS.PULS	: PULSE TRANSFORMER
FLTR.COMB	: COMB FILTER MODULE	TRANS.PWR	: POWERTRANSFORMER ASS'Y
FLTR.LC.RF	: LC FILTER,EMI	TUNER.AM	: TUNER PACK,AM
GND.MTL	: GROUND PLATE	TUNER.FM	: TUNER PACK,FM
GND.TERM	: GROUND TERMINAL	TUNER.PK	: FRONT-ENDTUNER PACK
HOLDER.FUS	: FUSE HOLDER	VR	: ROTARY POTENTIOMETER
IC.PRTCT	: IC PROTECTOR	VR.MTR	: POTENTIOMETER WITH MOTOR
JUMPER.CN	: JUMPER CONNECTOR	VR.SW	: POTENTIOMETER WITH ROTARY SW
JUMPER.TST	: JUMPER,TEST POINT	VR.SLIDE	: SLIDEPOTENTIOMETER
L.DTCT	: LIGHT DETECTING MODULE	VR.TRIM	: TRIMMER POTENTIOMETER

**Note)** Those parts marked with “#” are not included in the P.C.B. ass'y.

Schm Ref.	PART NO.	Description	
*	V3359100	P. C. B.	MAIN(UC)
*	V3359200	P. C. B.	MAIN(RT)
*	V3359300	P. C. B.	MAIN(A)
*	V3359400	P. C. B.	MAIN(BG)
CB1	LB932020	CN. BS. PIN	2P
CB2	VD004800	CN. BS. PIN	5P
CB3	VD005100	CN. BS. PIN	8P
CB4	VD004900	CN. BS. PIN	6P
CB5	VT658200	HOLDER. FUS	PC-FH1 (RT)
CB6	VT658200	HOLDER. FUS	PC-FH1 (RT)
CB7	VT658200	HOLDER. FUS	PC-FH1
CB8	VT658200	HOLDER. FUS	PC-FH1
CB9	VD004700	CN. BS. PIN	4P
CB11	VD005100	CN. BS. PIN	8P
C1	UA654470	C. MYLAR	0.047uF 50V
C2	FG212220	C. CE	220pF 50V
*	C3	VT723100	C. EL 10uF 35V
C4	FG212220	C. CE	220pF 50V
C5	UA654220	C. MYLAR	0.022uF 50V
C6	VJ836900	C. EL	10uF 16V
C7	VJ837200	C. EL	47uF 16V
*	C8	VT723100	C. EL 10uF 35V
C9	VT857900	C. POL	0.1uF 250V
C10	VT857900	C. POL	0.1uF 250V
C11	V3757300		6800 50.0V ㊦
C12	V3757300		6800 50.0V ㊦
C13	Ui367220	C. EL	22uF 50V
C14	Ui367220	C. EL	22uF 50V
C16	Ui367220	C. EL	22uF 50V
C17	Ui367220	C. EL	22uF 50V
C18	UA655470	C. MYLAR	0.47uF 50V
C19	VJ837200	C. EL	47uF 16V
C20	VJ837200	C. EL	47uF 16V
C21	VF760000	C. EL	100uF 10V
C22	VF964800	C. EL	100uF 16V
C23	UA655470	C. MYLAR	0.47uF 50V
C24	VE117600	C. EL	220uF 10V
C25	FG214100	C. CE	0.01uF 50V
C26	UA653390	C. MYLAR	3900pF 50V
C27	UA654100	C. MYLAR	0.01uF 50V
C28	UA654100	C. MYLAR	0.01uF 50V
C29	UJ668100	C. EL	100uF 50V
C30	UJ668100	C. EL	100uF 50V
C31	UJ667470	C. EL	47uF 50V
C32	FG212470	C. CE	470pF 50V
C33	UA655100	C. MYLAR	0.1uF 50V
C34	FG213100	C. CE	1000pF 50V
C35	FG212470	C. CE	470pF 50V
C36	VJ839100	C. EL	1uF 50V
C37	UJ667470	C. EL	47uF 50V
C38	UA655100	C. MYLAR	0.1uF 50V
C39	VJ836900	C. EL	10uF 16V
C40	VF606700	C. EL	1000uF 25V(UCABG)

\* New Parts

Schm Ref.	PART NO.	Description	
C40	VH620500	C. EL	10uF 25V(RT)
C41	VJ836900	C. EL	10uF 16V
C42	FG214100	C. CE	0.01uF 50V
C43	FG213100	C. CE	1000pF 50V
C44	VJ839100	C. EL	1uF 50V
C45	UA654680	C. MYLAR	0.068uF 50V
C46	UJ638330	C. EL	330uF 16V
C47	UJ648220	C. EL	220uF 25V
C48	UH178100	C. EL	100uF 63V(RT)
⚠	C49	VS741700	C. CE. SAFTY 0.01uF 275V
C50	FG214100	C. CE	0.01uF 50V
C51	UA654470	C. MYLAR	0.047uF 50V
C52	VJ836900	C. EL	10uF 16V
C53	VJ836900	C. EL	10uF 16V
C54	FG212220	C. CE	220pF 50V
C55	FG212100	C. CE	100pF 50V
C56	VJ836900	C. EL	10uF 16V
C57	FG413220	C. CE	2200pF 50V
C61	UA655680	C. MYLAR	0.68uF 50V
C62	UA655180	C. MYLAR	0.18uF 50V
C63	UA655150	C. MYLAR	0.15uF 50V
C64	UA655150	C. MYLAR	0.15uF 50V
C65	UM417100	C. EL	10uF 50V
C66	UM417100	C. EL	10uF 50V
⚠	D1	VN011300	DIODE. BRG D3SBA20 4A 200V
D2	VG440900	DIODE. ZENR	MTZJ15C 15V
D3	VG440900	DIODE. ZENR	MTZJ15C 15V
D4	iF004600	DIODE	1SS133
D5	iF004600	DIODE	1SS133
D6	VG442500	DIODE. ZENR	MTZJ24B 24V
D7	iF004600	DIODE	1SS133
D8	iF004600	DIODE	1SS133
D9	iF004600	DIODE	1SS133
D10	iF004600	DIODE	1SS133
D11	VR253700	DIODE. BRG	S1NB20 1.0A 200V
D12	iF004600	DIODE	1SS133
D13	iF004600	DIODE	1SS133
D16	VG440300	DIODE. ZENR	MTZJ12C 12V(RT)
D19	VU767600	LED(re)	SLP-117B-51
⚠	F1	KB002600	FUSE T630mA 250V(ABG)
⚠	F1	VT951300	FUSE 2A 250V(UCRT)
⚠	F2	KB002600	FUSE T630mA 250V(RT)
IC1	XM922A00	IC	NJM4558L
IC2	XB247301	IC	uPC4570HA
IC3	XB247301	IC	uPC4570HA
IC4	XB247301	IC	uPC4570HA
IC5	XP741A00	IC	M51848L
IC6	XB247301	IC	uPC4570HA
IC7	XB247301	IC	uPC4570HA
IC8	XF663A00	IC	uPC1237HA
*	IC9	XV796A00	IC STK4036-2 50W 1CH
IC10	iG160100	IC	NJM78L08A 8V
PJ1	VT666100	JACK. PIN	2P

\* New Parts

Schm Ref.	PART NO.	Description
Q1	VC407900	TR 2SD1913 R,S
Q2	VC614000	TR 2SB1274 Q,R,S
Q3	iC1815M0	TR 2SC1815 Y,GR
Q4	iC1815M0	TR 2SC1815 Y,GR
Q5	iA101590	TR 2SA1015 O,Y
Q6	iA101590	TR 2SA1015 O,Y
Q7	V3028000	FET 2SK304 E
Q11	iC224030	TR 2SC2240 GR,BL
Q12	iC224030	TR 2SC2240 GR,BL
Q13	iC224030	TR 2SC2240 GR,BL(RT)
Q14	VK801200	TR 2SC4688 R,O(RT)
R3	HV456220	R.CAR.FP 2.2K 1/4W
R4	HV456220	R.CAR.FP 2.2K 1/4W
R12	HV456470	R.CAR.FP 4.7K 1/4W
R15	HV456470	R.CAR.FP 4.7K 1/4W
R22	HV455150	R.CAR.FP 150 1/4W
R26	HV455150	R.CAR.FP 150 1/4W
R29	HL325470	R.MTL.OXD 470 2W
R33	HV455100	R.CAR.FP 100 1/4W
R39	HU576330	R.MTL.FLM 3.3K 1/4W
R40	HV456100	R.CAR.FP 1K 1/4W
R41	HV456100	R.CAR.FP 1K 1/4W
R47	HU578100	R.MTL.FLM 100K 1/4W
R62	HV453220	R.CAR.FP 2.2 1/4W(UCABG)
R66	HU597100	R.MTL.FLM 10K 1/4W
R67	HU597100	R.MTL.FLM 10K 1/4W
R68	HU597100	R.MTL.FLM 10K 1/4W
R69	HU597100	R.MTL.FLM 10K 1/4W
R80	HU597100	R.MTL.FLM 10K 1/4W
R81	HV455100	R.CAR.FP 100 1/4W
R82	HV454100	R.CAR.FP 10 1/4W
R83	HV455100	R.CAR.FP 100 1/4W
R89	VH930000	R.WW 0.1 3W
R90	HU597100	R.MTL.FLM 10K 1/4W
R91	HU597100	R.MTL.FLM 10K 1/4W
R92	HU597100	R.MTL.FLM 10K 1/4W
R93	HU597100	R.MTL.FLM 10K 1/4W
R95	HV454100	R.CAR.FP 10 1/4W
R96	HV454100	R.CAR.FP 10 1/4W
RY1	VU161600	RELAY DC OSA-SS-224DM3
RY2	VU349800	RELAY DC SDT-SS-112DM
SW1	VS066500	SW.PUSH SPPH13-W
SW2	VD179500	SW.SLIDE SSSU12
T1	XQ843A00	TRANS.PWR (UC)
T1	XQ844A00	TRANS.PWR (RT)
T1	XQ845A00	TRANS.PWR (A)
T1	XQ846B00	TRANS.PWR (BG)
TE1	VT658100	TERM.WRAP 352-TX119
TE2	VT658100	TERM.WRAP 352-TX119
TE3	VC313700	TERM.SP 8P(UCRTA)
TE3	VK506200	TERM.SP 8P(BG)
VR2	V3582800	VR S10K
VR3	V3582700	VR A5K

\* New Parts

Schm Ref.	PART NO.	Description
	BB070700	GND.MTL
	VN774800	GND.WSHR MEP1866 #11102
	V3619700	CN.ASSY 8P 500mm
	V3619600	CABLE.ASSY 2P 450mm
	V3028400	HOLDER.LED LE56211-5A
	VA932900	VOLT.SELCT ESE-37226(R)

\* New Parts

